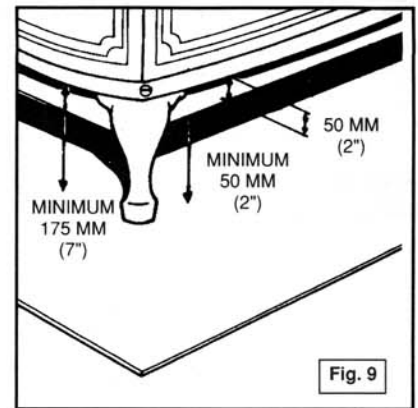
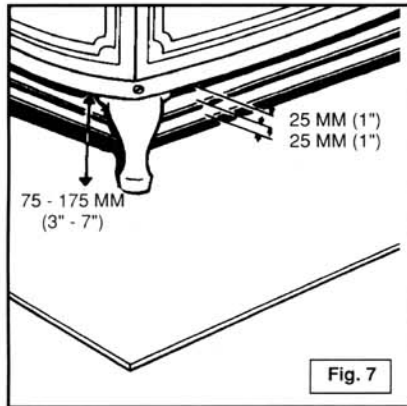


MOUNTED LESS THAN 75 MM (3")
Appliance shall be mounted off the floor protection pad by two courses of 90 mm (3 1/2") thick hollow masonry, clay or concrete units arranged so that the holes are in opposite directions to permit air circulation through them. (Fig. 6)



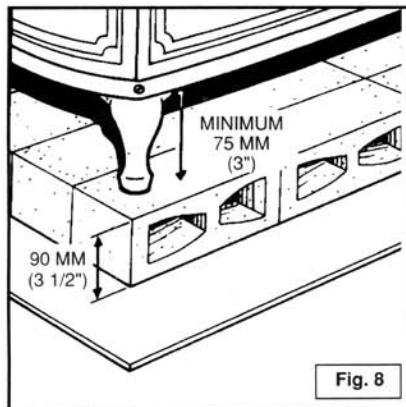
MOUNTED MINIMUM 175 MM (7") & UP

Appliance required to have one sheet metal plate, the size of the appliance bottom and at least 24 gauge in thickness installed between the appliance and the floor pad spaced at least 50 mm (2") from the bottom of the appliance and at least 50 mm (2") from the floor pad by noncombustible spacers or attachments to the appliance legs. (Fig. 9)



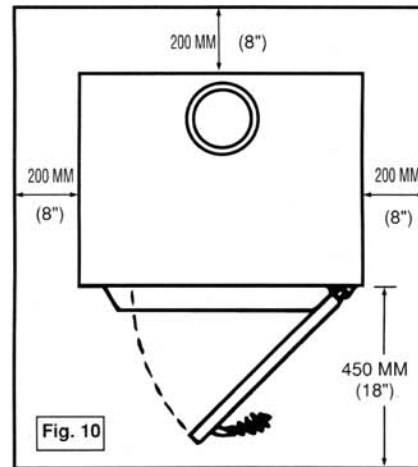
MOUNTED 75 MM - 175 MM (3"-7")

Appliance required to have two sheet metal plates, the size of the appliance bottom and at least 24 gauge in thickness installed between the appliance and floor pad spaced at least 25 mm (1") apart and 25 mm (1") from appliance bottom and floor pad by noncombustible spacers or attachments to the appliance legs. (Fig. 7)



MOUNTED MINIMUM 75 MM (3") AND UP

Appliance shall be mounted off the floor protection pad by one course of 90 mm (3 1/2") hollow masonry, clay or concrete units arranged so that holes are aligned to allow air flow. (Fig. 8)



FLOOR PAD

A durable, noncombustible surface with no gaps that could allow hot embers to reach the floor. Grouted ceramic tile is acceptable. Pad should extend 450 mm (18") beyond any side equipped with a door and 200 mm (8") beyond the other sides and rear. A pad placed on top of carpet must be structurally supported to prevent displacement or distortion. (Fig. 10)

Sources:

CSA-Installation Code for Solid-Fuel-Burning Appliances and Equipment CAN/CSA-B365-M91
Energy, Mines and Resources Canada ISBN 0-662-15415-0
Ontario Ministry of Energy 20M/09--87/87-341004-12