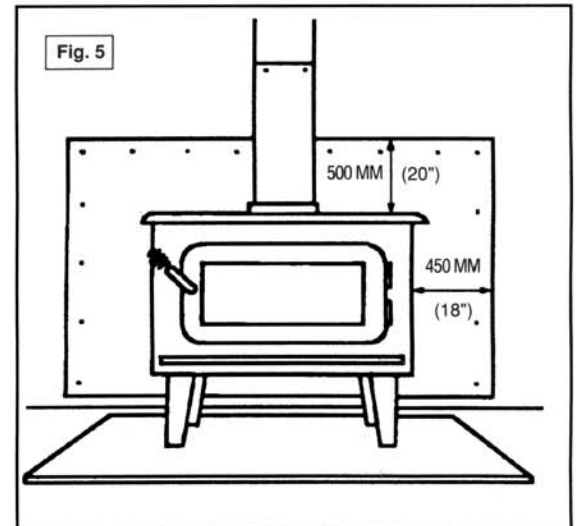
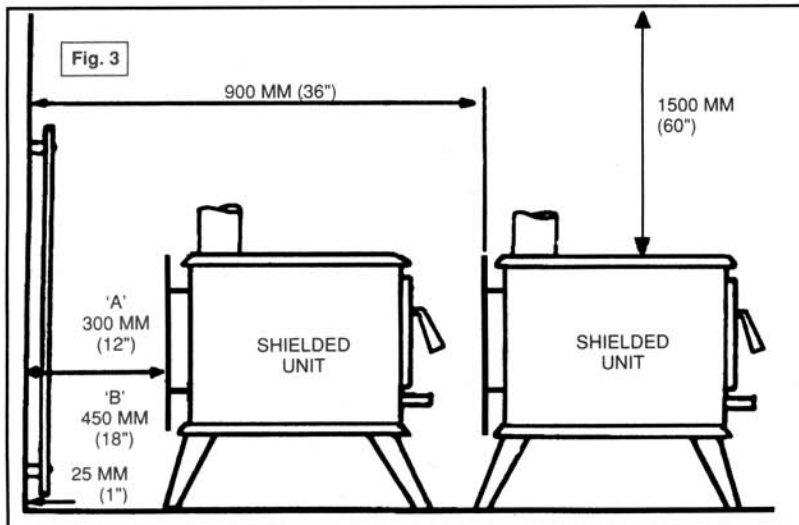
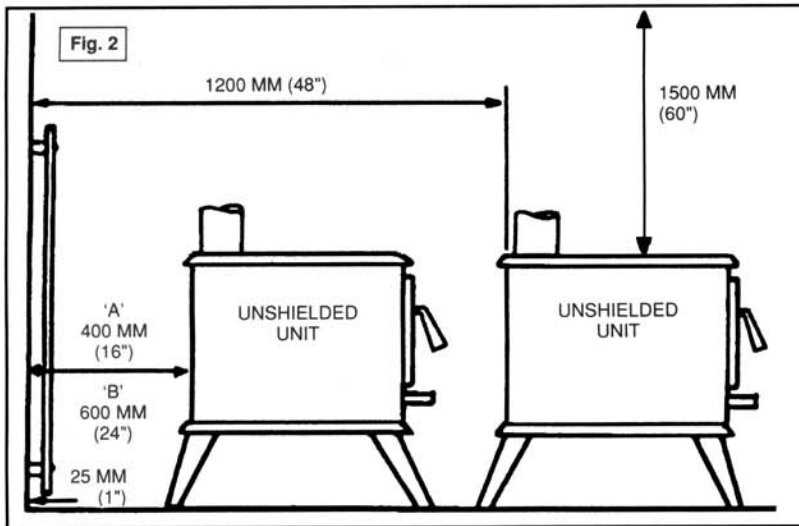


FLUE PIPE CLEARANCES

The minimum clearance of single-wall flue pipe is 450 mm (18") to combustible material. This clearance may be reduced to 225 mm (9") when proper shields are installed.



SHIELDING - A shield mounted 21 mm (7/8") off the wall with noncombustible spacers and 25 mm (1") off the floor and no closer than 75 mm (3") from the ceiling will reduce minimum clearances. Wall shielding behind a stove must extend at least 500 mm (20") above and 450 mm (18") beyond each edge of the unit. On corner installations minimum clearances are measured from the corner of the appliance closest to the wall.

'A' CLEARANCES represent Sheet Metal Shielding.
'B' CLEARANCES represent Ceramic Tile or Other Noncombustible Material.

If an appliance is 'CERTIFIED' Manufacturer's minimum clearances to combustibles may be reduced 67% using Sheet Metal Wall Shielding and 50% using Ceramic Tile or Other Noncombustible Material.