

**DIAGRAM**

(Please take individual measurements from the actual installation in inches.)

Construction of ceiling: \_\_\_\_\_

Construction of back wall: \_\_\_\_\_

Is there a thimble/chimney connector where the pipe passes through the wall?  
 Yes  No

Distance stovepipe is from the nearest wall: \_\_\_\_\_ inches

Total length of stovepipe: \_\_\_\_\_ inches

Shortest distance from edge of unit to back wall: \_\_\_\_\_ inches

Distance from bottom of unit to floor: \_\_\_\_\_ inches

Distance from side of edge of unit to end of non-combustible pad: \_\_\_\_\_ inches

Distance from front of non-combustible pad to the front edge of the unit: \_\_\_\_\_ inches

Construction of non-combustible floor pad: \_\_\_\_\_

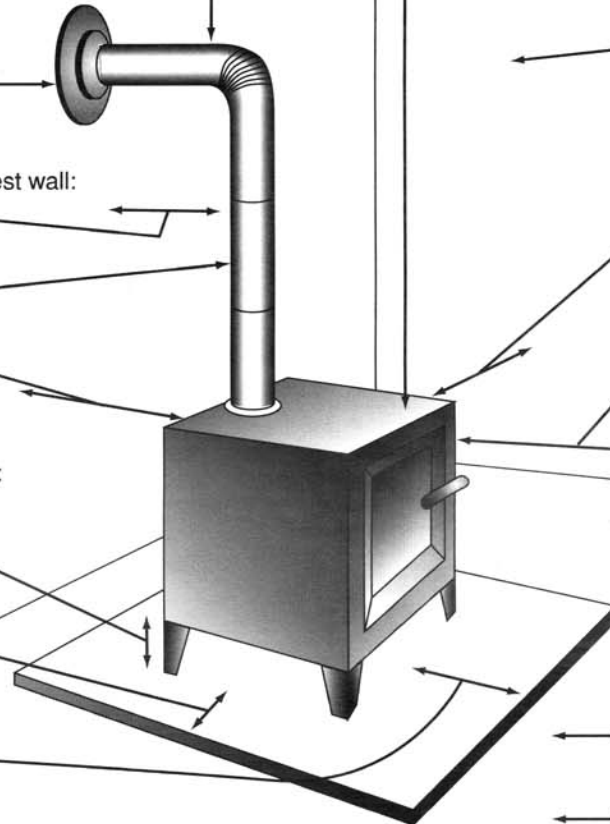
Shortest distance from stovepipe to ceiling: \_\_\_\_\_ inches

Ceiling to top of unit: \_\_\_\_\_ inches

Construction of side wall: \_\_\_\_\_

Shortest distance from edge of unit to side wall: \_\_\_\_\_ inches

Shortest distance from front of unit to furniture, fuel, or other combustibles: \_\_\_\_\_ inches



Construction of floor: \_\_\_\_\_

Type of floor covering: \_\_\_\_\_

**SHIELD DETAILS (Answer ONLY if permanent wall mounted shield equipped)**

Shield material: \_\_\_\_\_ Thickness of shield: \_\_\_\_\_ inches  
 Distance from back wall to shield: \_\_\_\_\_ inches Airspace between shield and wall \_\_\_\_\_ inches  
 Distance from side wall to shield: \_\_\_\_\_ inches  
 Shield is mounted by spacers constructed of: \_\_\_\_\_  
 Distance from floor to bottom edge of shield: \_\_\_\_\_ inches  
 Total measurements of shield: \_\_\_\_\_ (W) \_\_\_\_\_ (D) \_\_\_\_\_ (H)

**COMMENTS/REMARKS**

\_\_\_\_\_  
 \_\_\_\_\_  
 \_\_\_\_\_  
 \_\_\_\_\_  
 \_\_\_\_\_  
 \_\_\_\_\_

Completed by: _____	WETT Certified <input type="checkbox"/> Yes <input type="checkbox"/> No If Yes, Certificate #: _____	Date: _____ MM/DD/YYYY
---------------------	---	---------------------------